

12LP15 AND 12LPC15 | INVERTER AND INVERTER/CHARGER

PURE SINE WAVE OUTPUT

Introduction

The 12LP15 inverter and 12LPC15 inverter/charger provides pure sine wave power.



Features

- Battery Profile Presets – Using the CAN Configurator Tool, easily set standard battery profiles on inverter/charger models, including Lithium Iron Phosphate (LFP), Gel, Flooded, and AGM.
- RV-C communication protocol
- Inverter/charger models come with a 20A bypass
- Cooling: Thermally controlled cooling fan
- Local Status LED: Provides inverter operation mode and troubleshooting information at a glance
- Surge: Surge rating for motor loads
- GFCI receptacle output and hardwired AC output

Options

- “A” option – AC hardwired output protected by GFCI
- “H” option – AC hardwired output only, no GFCI
- “R” option – Remote only, local switch inactive

Model Numbers

- Inverter: 12LP15, 12LP15A, 12LP15R, 12LP15AR
- Inverter/charger: 12LPC15, 12LPC15HR, 12LPC15R

Available For

- Marine Systems
- RV Systems
- Trucks
- Utility Vehicles

Available Accessories

- Remote: Optional remote on/off switch for inverter control



Pure Sine Wave



12 Battery Voltage Options



1500 W Continuous Output Options



SPECIFICATIONS

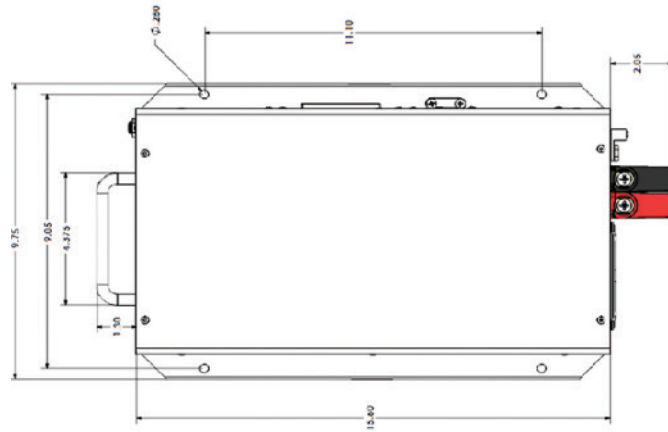


	12LP15	12LPC15
INVERTER SPECIFICATIONS		
Input Voltage: (Vdc)	10.5-15.0	10.5-15.0
DC Surge Voltage (Vdc)	Up to 24Vdc	Up to 24Vdc
Output Voltage (Vac)	120 +/- 5%	120 +/- 5%
Output Frequency (Hz)	60 +/- .05%	60 +/- .05%
THD	< 5% at 12.6Vdc and 1500W	< 5% at 12.6Vdc and 1500W
Output Waveform	Pure Sine < 5% THD	Pure Sine < 5% THD
Output Power (Watts Continuous)	1500	1500
Output Current (Aac Continuous)	12.5	12.5
Input Current (Adc Continuous)	Up to 167 at 12.6Vdc	Up to 167 at 12.6Vdc
Input Current (Adc Continuous)	Up to 190 at 10.5Vdc	Up to 190 at 10.5Vdc
Peak Power (Watts)	3000	3000
Peak Output (Aac)	25.0	25.0
Motor Starting Rating (h.p.)	1/2	1/2
Inverter Efficiency	Up to 80%	Up to 80%
CHARGER SPECIFICATIONS		
Charger Input Voltage (Vrms)		100 – 130
Charger Output Current (Adc)		65
Input Current Bypass (Arms)		20
PHYSICAL SPECIFICATIONS		
Weight (lbs.)	28	28
Dimensions in. (L x W x H)	19.0" x 9.75" x 4.8" [48.3cm x 24.8cm x 12.2cm]*	19.0" x 9.75" x 4.8" [48.3cm x 24.8cm x 12.2cm]*
Operating Temperature	-40°C to 50°C [-40°F to 122°F] **	-40°C to 50°C [-40°F to 122°F] **



DIMENSIONS

All dimensions are in inches



AGENCY APPROVALS & CERTIFICATIONS

- UL Listing to UL 458 6th Edition
- E100666

* Length includes DC terminals and handle.

** The operating temp range for a GFCI is -20°C to 50°C. Testing for specifications at 25°C and 12.6Vdc, measured at the inverter input terminals. Specifications subject to change without notice.

Sensata Technologies, Inc. ("Sensata") data sheets are solely intended to assist designers ("Buyers") who are developing systems that incorporate Sensata products (also referred to herein as "components"). Buyer understands and agrees that Buyer remains responsible for using its independent analysis, evaluation and judgment in designing Buyer's systems and products. Sensata data sheets have been created using standard laboratory conditions and engineering practices. Sensata has not conducted any testing other than that specifically described in the published documentation for a particular data sheet. Sensata may make corrections, enhancements, improvements and other changes to its data sheets or components without notice.

Buyers are authorized to use Sensata data sheets with the Sensata component(s) identified in each particular data sheet. HOWEVER, NO OTHER LICENSE, EXPRESS OR IMPLIED, BY ESTOPPEL OR OTHERWISE TO ANY OTHER SENSATA INTELLECTUAL PROPERTY RIGHT, AND NO LICENSE TO ANY THIRD PARTY TECHNOLOGY OR INTELLECTUAL PROPERTY RIGHT, IS GRANTED HEREIN. SENSATA DATA SHEETS ARE PROVIDED "AS IS". SENSATA MAKES NO WARRANTIES OR REPRESENTATIONS WITH REGARD TO THE DATA SHEETS OR USE OF THE DATA SHEETS, EXPRESS, IMPLIED OR STATUTORY, INCLUDING ACCURACY OR COMPLETENESS. SENSATA DISCLAIMS ANY WARRANTY OF TITLE AND ANY IMPLIED WARRANTIES OF MERCHANTABILITY, FITNESS FOR A PARTICULAR PURPOSE, QUIET ENJOYMENT, QUIET POSSESSION, AND NON-INFRINGEMENT OF ANY THIRD PARTY INTELLECTUAL PROPERTY RIGHTS WITH REGARD TO SENSATA DATA SHEETS OR USE THEREOF.

All products are sold subject to Sensata's terms and conditions of sale supplied at www.sensata.com SENSATA ASSUMES NO LIABILITY FOR APPLICATIONS ASSISTANCE OR THE DESIGN OF BUYERS' PRODUCTS. BUYER ACKNOWLEDGES AND AGREES THAT IT IS SOLELY RESPONSIBLE FOR COMPLIANCE WITH ALL LEGAL, REGULATORY AND SAFETY-RELATED REQUIREMENTS CONCERNING ITS PRODUCTS, AND ANY USE OF SENSATA COMPONENTS IN ITS APPLICATIONS, NOTWITHSTANDING ANY APPLICATIONS-RELATED INFORMATION OR SUPPORT THAT MAY BE PROVIDED BY SENSATA.

Mailing Address: Sensata Technologies, Inc., 529 Pleasant Street, Attleboro, MA 02703, USA.

CONTACT US

651-653-7000
800-553-6418
InverterInfo@sensata.com

Power Conversion
www.magnum-dimensions.com