



Introduction

The ME-PT2 (Pigtail two-wire) adapter is designed to be connected to the Magnum Energy Auto Generator Start (AGS) controller to allow the connected generator to be started by an external switching device. This is useful in applications where there is a requirement to conveniently and automatically turn the generator on/off externally through a manually controlled switch or from an automatically controlled switching device.

This adapter provides two pigtail wires and when they are connected together, causes the Magnum Auto Generator Start controller to start and run the connected generator.



Info: The high temperature start feature is not available when using the ME-PT2. However, as long as the AGS is enabled, the low battery voltage start feature is still available.

Installation/Setup - ME-AGS-N (Network Version)

The following pertains to the ME-PT2 when connected to the ME-AGS.



Info: Refer to the ME-AGS-N Operators Manual (64-0005) for installation, setup and operation of the ME-AGS-N; and the ME-RC Operation Manual (64-0003) on information to select/adjust settings.

Installation

Refer to figure 2 for the following steps to install the ME-PT2:

1. Connect the two white wires on the adapter to a two contact external switching device (i.e. switch).
2. Plug the ME-PT2 adapter into the REMOTE (purple) port on the ME-AGS-N.



Info: The remote temperature sensor that comes with the ME-AGS-N and is normally plugged into the REMOTE (purple) port is not used when the ME-PT2 is connected.

Setup

When using the ME-PT2 with the ME-AGS-N, configure the ME-RC to allow the ME-AGS to accept the external input from the ME-PT2 (see figure 1):

1. Press the AGS button and rotate the SELECT knob to the '04 Start Temp F' menu. 2. Press the SELECT knob and rotate the SELECT knob to choose the 'Start=Ext Input' setting. 3. Press the SELECT knob to save this setting.

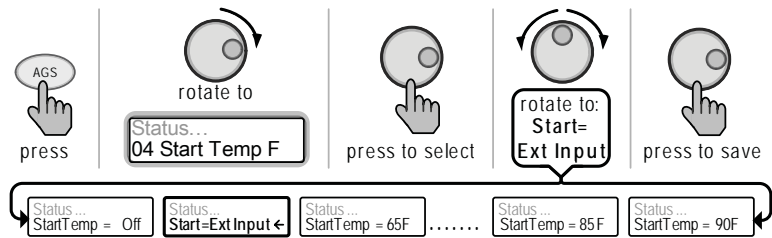


Figure 1, Selecting the Start=Ext Input Setting

ME-PT2 Instruction Sheet

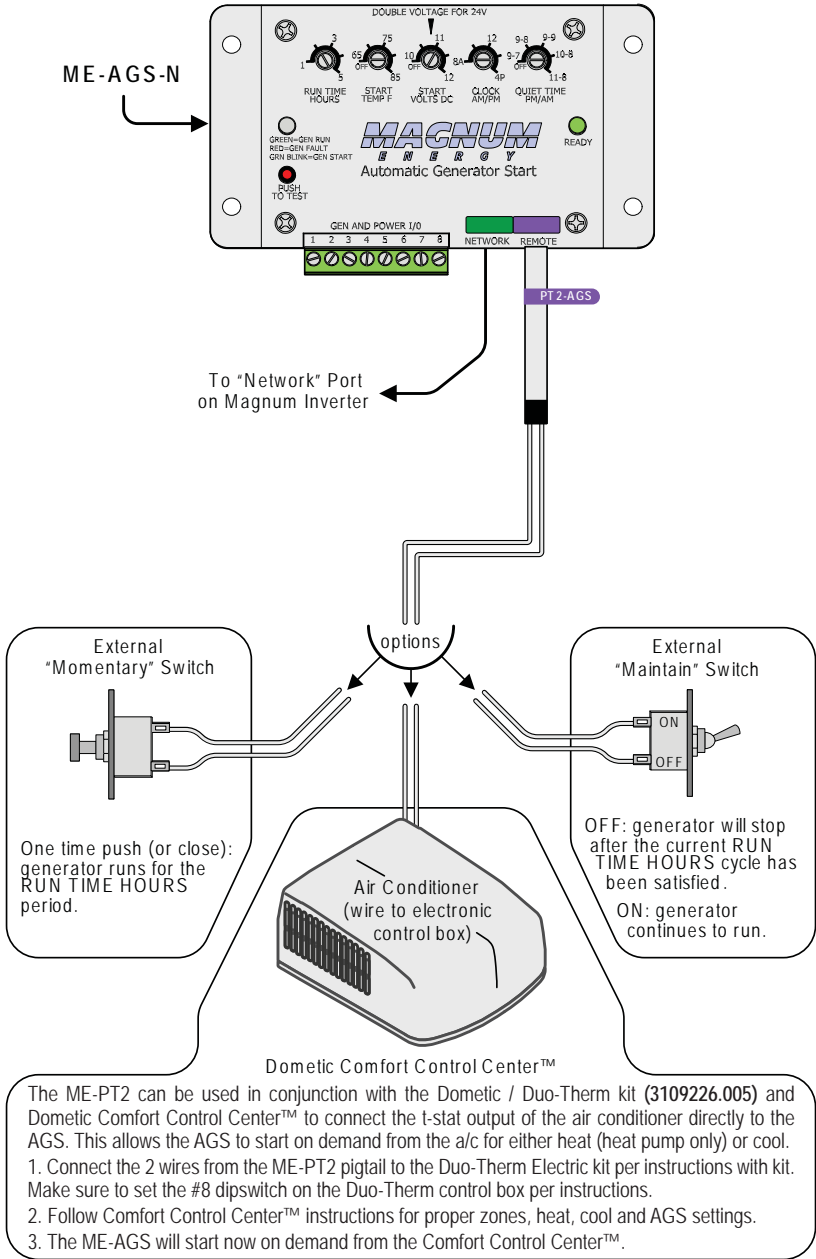


Figure 2, ME-PT2 to ME-AGS-N Installation

Installation/Setup - ME-AGS-S (Standalone Version)

The following pertains to the ME-PT2 when connected to the ME-AGS-S (Standalone Version) controller.



Info: Other than the specific installation and setup instructions listed below, refer to the ME-AGS-S Operators Manual (64-0004) for installation, setup and operation of the ME-AGS-S.

Installation

- Prepare the ME-AGS-S remote switch:
 1. Find the Temperature Sensor behind the remote switch front plate; it is a small reddish looking device close to the metal front plate (see figure 3).
 2. Use a pair of small wire cutters and clip open one side the temperature sensor (see figure 4). Ensure the cut ends are not able to touch.
- Refer to figure 5 for the following steps to install the ME-PT2:
 1. Plug a 6-conductor phone splitter into the REMOTE (purple) port on the ME-AGS-S controller.
 2. Plug the ME-PT2 pigtail into one port of the phone splitter and plug the remote switch using its communications cable into the other port of the phone splitter.
 3. Connect the two white wires on the ME-PT2 pigtail adapter to a two contact external switching device (i.e. switch).

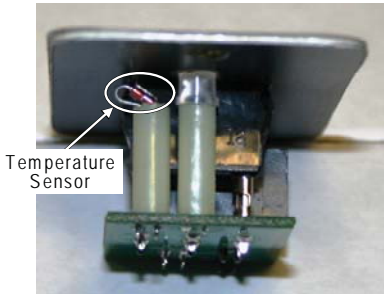


Figure 3, Locating Sensor

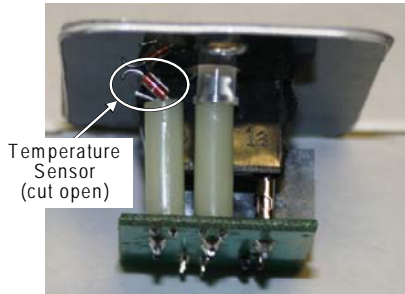


Figure 4, Sensor Cut Open

Setup

1. Turn the 'START TEMP F' adjustment clock-wise to any temperature position (it must NOT be turned full counter clock-wise to the OFF position).
2. Press the ME-AGS-S remote switch to the up (ENABLE) position.

ME-PT2 Operation

The type of external switch (i.e. "maintain" or "momentary") connected to the ME-PT2 adapter determines how long the generator can run.

- A. Using a "maintain" type switch: If the switch is off, the generator will stay off. If the switch is on, the generator will continue to run until the switch is turned off. After the switch is turned off, the generator will stop after the current RUN TIME HOURS period has finished.
- B. Using a "momentary" type switch: Pressing the switch will allow the generator to only run once for the RUN TIME HOURS period.

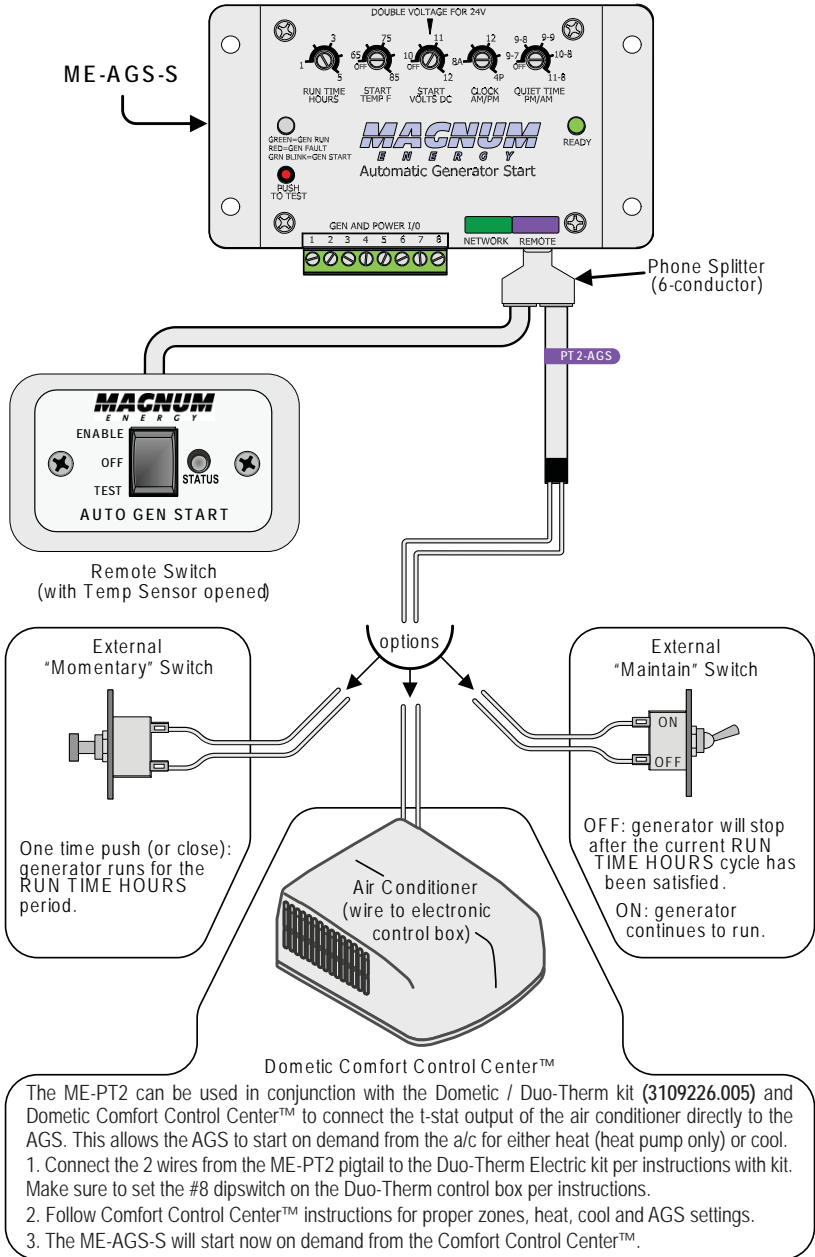


Figure 5, ME-PT2 to ME-AGS-S Installation