



Sensata Technologies  
2211 West Casino Rd  
Everett, WA, USA 98204  
[www.SensataPower.com](http://www.SensataPower.com)

## Introduction

The ME-MGT-ADAPTER allows you to connect your MagWeb GT to a Magnum MS-PAE inverter. This connection enables the MagWeb GT to communicate with the Magnum inverter. Use the MagWeb GT's display to access and view operational information for the inverter—as well as system information for any attached accessories such as a remote control, or a battery monitoring device.

### Supplied Components:

- ME-MGT-ADAPTER (dongle)
- Remote cable (25')
- DB9 M-F Extension cable (1')

### Required Components:

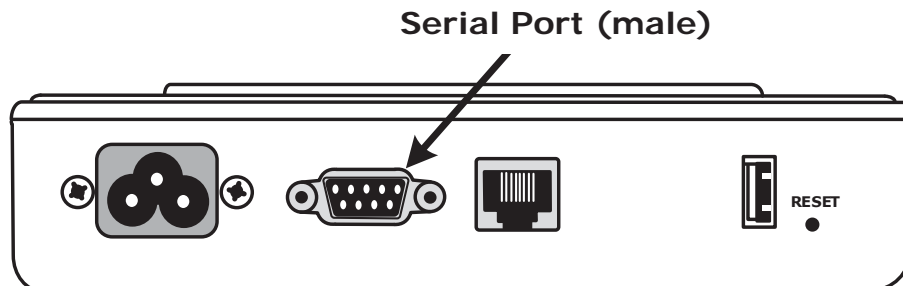
- MagWeb GT module
- Magnum MS-PAE inverter

## Installation

To connect the MagWeb GT to a Magnum MS-PAE inverter:

1. Locate the *Serial port* on the MagWeb GT module (Figure 1).
2. Plug the female end of the DB9 cable into the MagWeb GT's *Serial port*, and then plug the male end of DB9 cable into the *DB9 female connector* on the ME-MGT-ADAPTER (Figure 2).  
Screw in the attachment posts on each end of the DB9 cable to secure them to the MagWeb GT module and the ME-MGT-ADAPTER, respectively.
3. Plug one end of the remote cable into the *RJ12 connector* on the ME-MGT-ADAPTER (Figure 2).
4. Plug the other end of the remote cable into the *Remote port* (blue) on the Magnum MS-PAE inverter (Figure 3).

The MagWeb GT can now communicate with the MS4024PAE/MS4448PAE inverter.



*Figure 1, MagWeb GT Serial Port*

# ME-MGT-ADAPTER Instruction Sheet

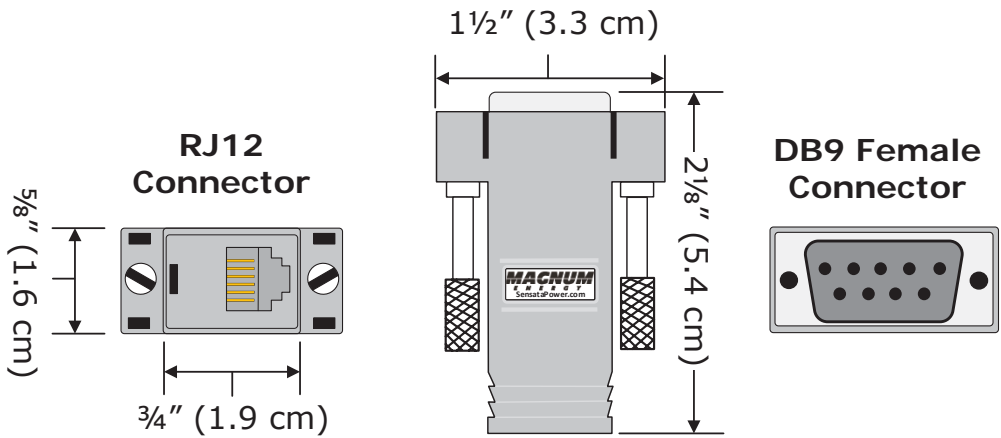


Figure 2, ME-MGT-ADAPTER

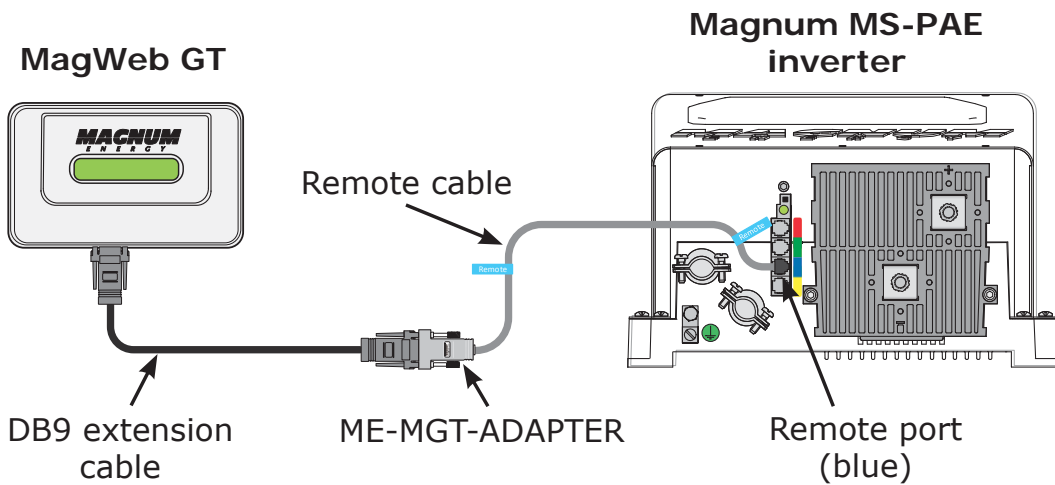


Figure 3, Connecting the MagWeb GT to a Magnum Inverter