



Sensata Technologies
2211 West Casino Road
Everett, WA, USA 98204
www.SensataPower.com

This MicroGT 500 design guide is for quick reference only and assumes you have access to, and have read the detailed instructions in the MicroGT 500 Owner's Manual (PN: 64-0085 A Owner Manual, ME-MGT500).

For assistance, contact Sensata Technical Support:

- MagnumSupport@Sensata.com or 425-353-8833

Quick Design

1. Verify that the grid voltage matches the MicroGT 500's specifications.
2. Connect the cables to the AC branch circuit junction box (Figure 1).
 - a. Route the open wire ends of the **AC Connector cable** and the AC branch circuit cable (from point of utility) in to the junction box. Secure both cables using appropriate gland/strain relief fittings.
 - b. Connect the AC wires from both cables inside the junction box (L1 - RED; L2 - BLACK; NEUTRAL - White).

Note: Be sure to size the AC wire to account for any voltage drop between the AC branch circuit junction box and the point of utility interconnection.

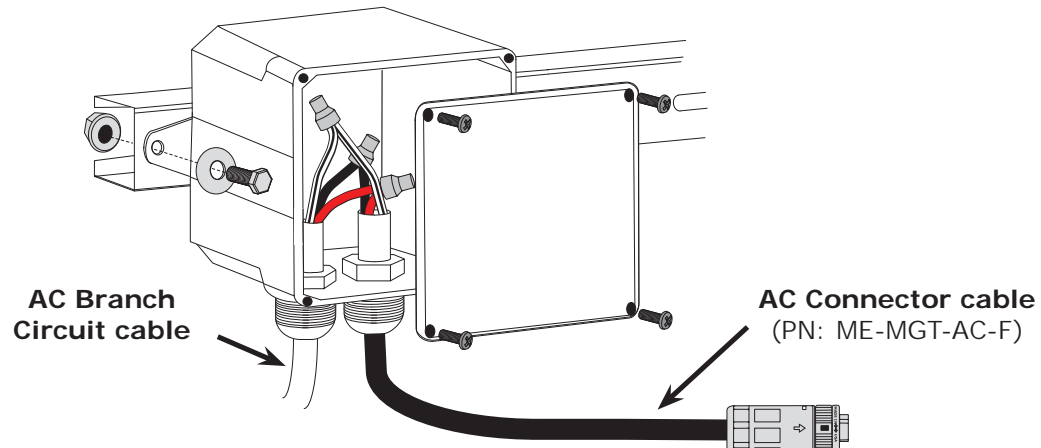


Figure 1, Attaching and Wiring the Junction Box

3. Attach the MicroGT inverters to the racking, or to the PV module frame (Figure 2).

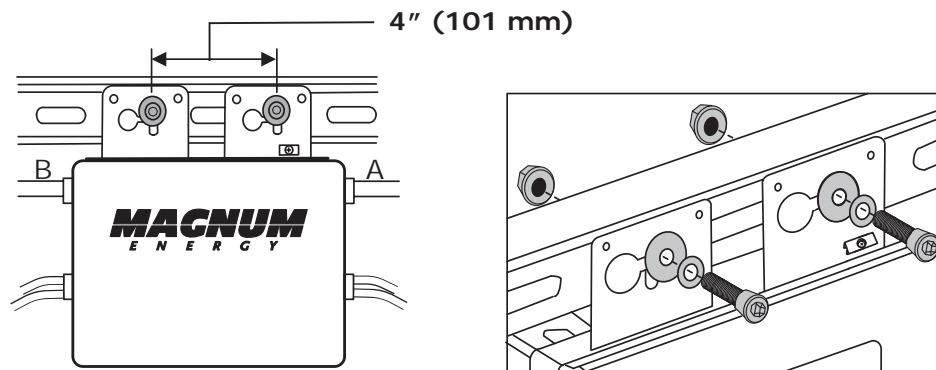


Figure 2, Attaching MicroGT 500 Inverters

MicroGT 500 Quick Design Guide

- Plug the AC Connector cable's female end (other end hardwired to junction box – Figure 1) into the male AC connector of the first MicroGT. Twist the connector's collar (until you hear a "click") to lock the two together.
- Plug the female AC connector of the first MicroGT into the male AC connector of the next microinverter (Figure 3). Twist to lock.
Repeat Step 5 for the remainder of the microinverters installed in your system.

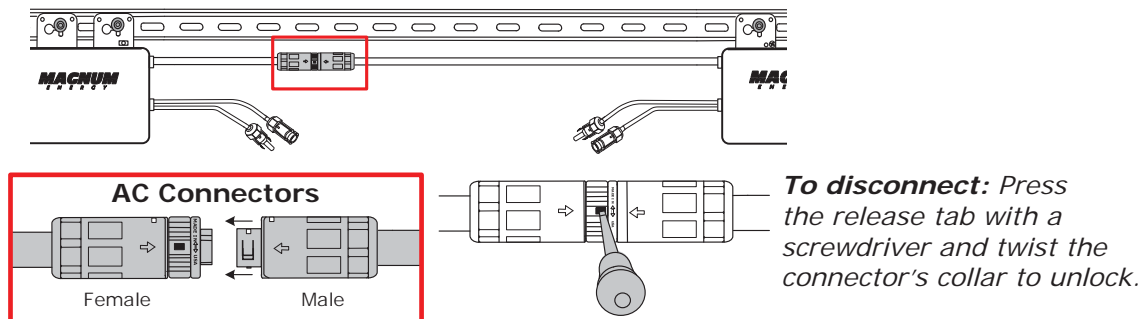
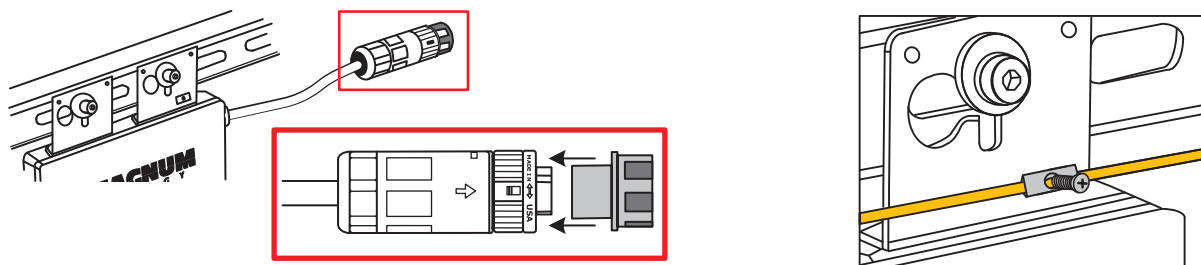


Figure 3, Connecting the MicroGT 500's AC Cables

- Install a female protective end cap on the open female AC connector of the last MicroGT 500 inverter in the AC branch circuit (Figure 4 – left).
- Ground the system (Figure 4 – right).



- Connect the MicroGT 500 inverters to the PV modules (Figure 5).

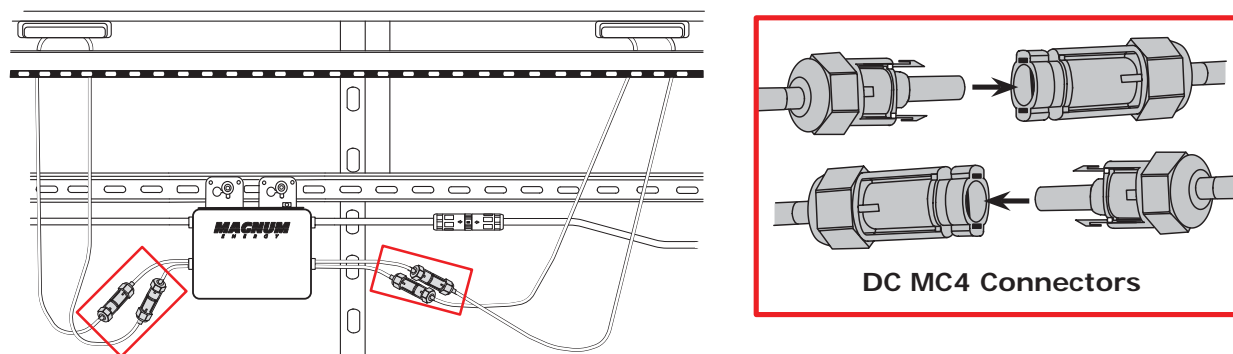


Figure 5, Connecting MicroGT 500 Inverters to the PV Modules

- Complete the MicroGT 500 inverter system installation.
- Activate the system.
 - Turn on the AC breakers from each MicroGT 500 inverter AC branch circuit.
 - Turn on the main utility-grid AC circuit breaker. Your system will start producing power after a five-minute safety period.