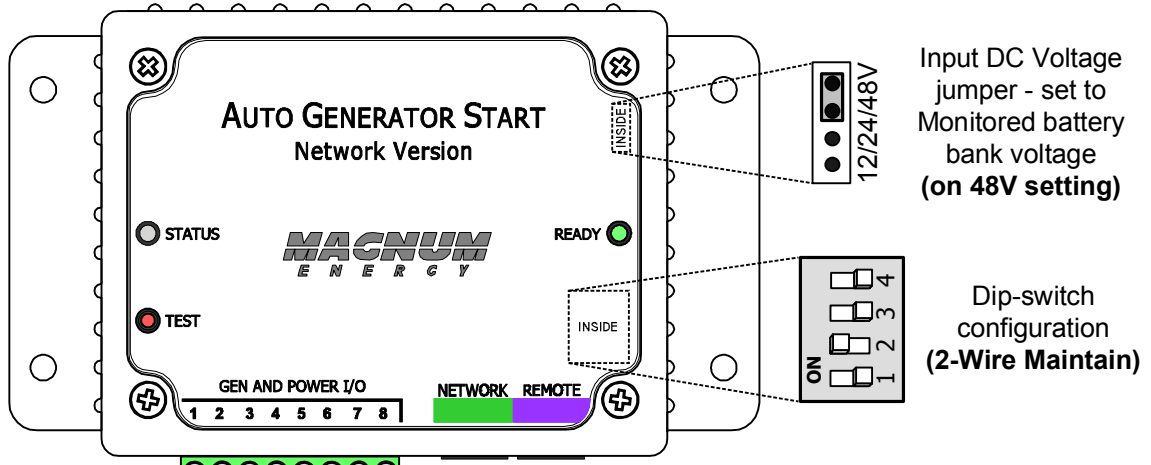


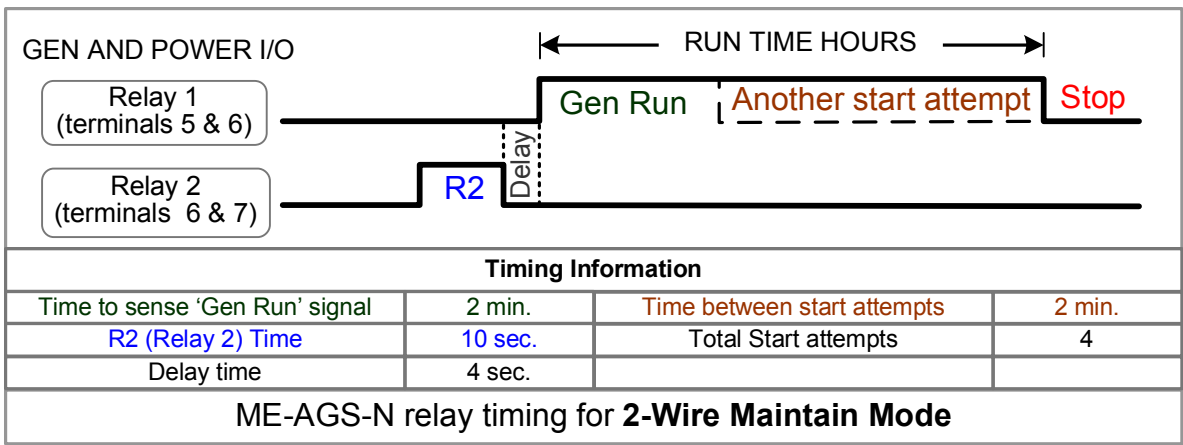
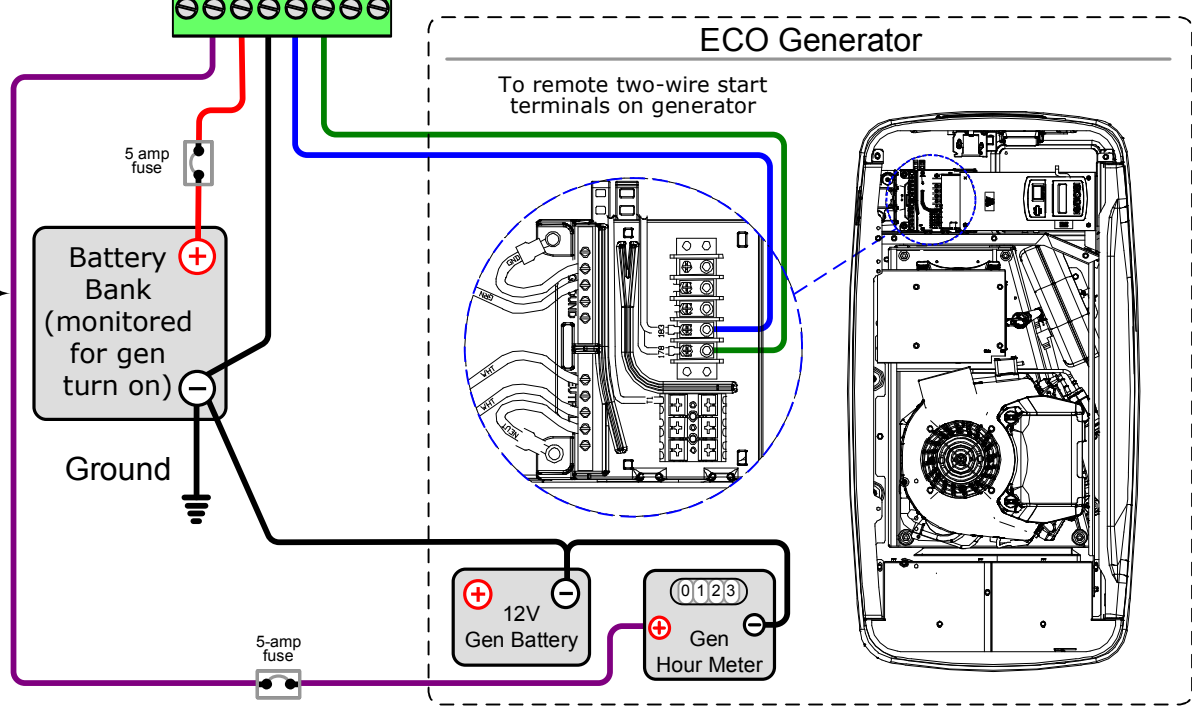
# ME-AGS-N wiring diagram – For Generac ECO 6 kW Generators



Input DC Voltage jumper - set to Monitored battery bank voltage (on 48V setting)

Dip-switch configuration (2-Wire Maintain)

Gen Run Signal (input to pin 2 must be 10 to 40 DC volts only while generator is running); can be the generator hour-meter or a 12vdc pilot/run light



Magnum Energy, Inc. provides this diagram to assist in the installation of the Auto-Generator Start controller. Since the use of this diagram and the conditions or methods of installation, operation and use are beyond the control of Magnum Energy, Inc., we do not assume responsibility and expressly disclaim liability for loss, damage or expense arising out of the installation, operation and use of this unit.