



Introduction

The ME-PT2 (Pigtail two-wire) adapter is designed to be connected to the Magnum Energy Auto Generator Start (AGS) controller to allow the connected generator to be started by an external switching device. This is useful in applications where there is a requirement to conveniently and automatically turn the generator on/off externally through a manually controlled switch, or from an automatically controlled switching device.

This adapter provides two pigtail wires and when connected together, causes the Magnum AGS controller to start and run the connected generator.



Info: The high temperature start feature is not available when using the ME-PT2. However, as long as the AGS is enabled, the low battery voltage start feature is still available.

Installation/Setup - ME-AGS-N (Network Version)

The following pertains to the ME-PT2 when connected to the ME-AGS.



Info: Refer to the ME-AGS-N Operators Manual (64-0005) for installation, setup and operation of the ME-AGS-N; and the ME-RC (64-0003) or ME-ARC (64-0030) manuals to select/adjust settings.

Installation

To install the ME-PT2, refer to Figure 1 and the following steps:

1. Connect the two white wires on the adapter to a two-contact external switching device (i.e., switch).
2. Plug the ME-PT2 adapter into the REMOTE (purple) port on the ME-AGS-N.



Info: The remote temperature sensor that comes with the ME-AGS-N (normally plugged into the AGS's REMOTE port) is not used when the ME-PT2 is connected.

Setup

When using the ME-PT2 with the ME-AGS-N, configure the ME-RC (or ME-ARC) to allow the AGS to accept the external input from the ME-PT2.

1. Find the Temperature Start setting depending on your remote; ME-RC (under AGS/04 Start Temp F menu), or ME-ARC (under SETUP/04E Gen Run Temp menu). Then, choose the 'Start=Ext Input' setting.

ME-PT2 to ME-AGS-N Operation

The type of external switch (i.e., "momentary" or "maintain") connected to the ME-PT2 adapter determines how long the generator can run.

A. Pressing a "momentary" type switch depends on the AGS revision:
< Rev 5.3 = generator runs until the Gen Run Time is satisfied, then stops;
≥ Rev 5.3 = generator runs for 2 minutes, then stops.

B. Using a "maintain" type switch: If the switch is off, the generator will stay off. If the switch is on, the generator will run until the switch is turned off. How the AGS operates after the switch is turned off, depends on the AGS revision:
< Rev 5.3 = generator stops after the current cycle of the Gen Run Time has been satisfied; ≥ Rev 5.3 = generator runs for 2 minutes, then stops.

ME-PT2 Instruction Sheet

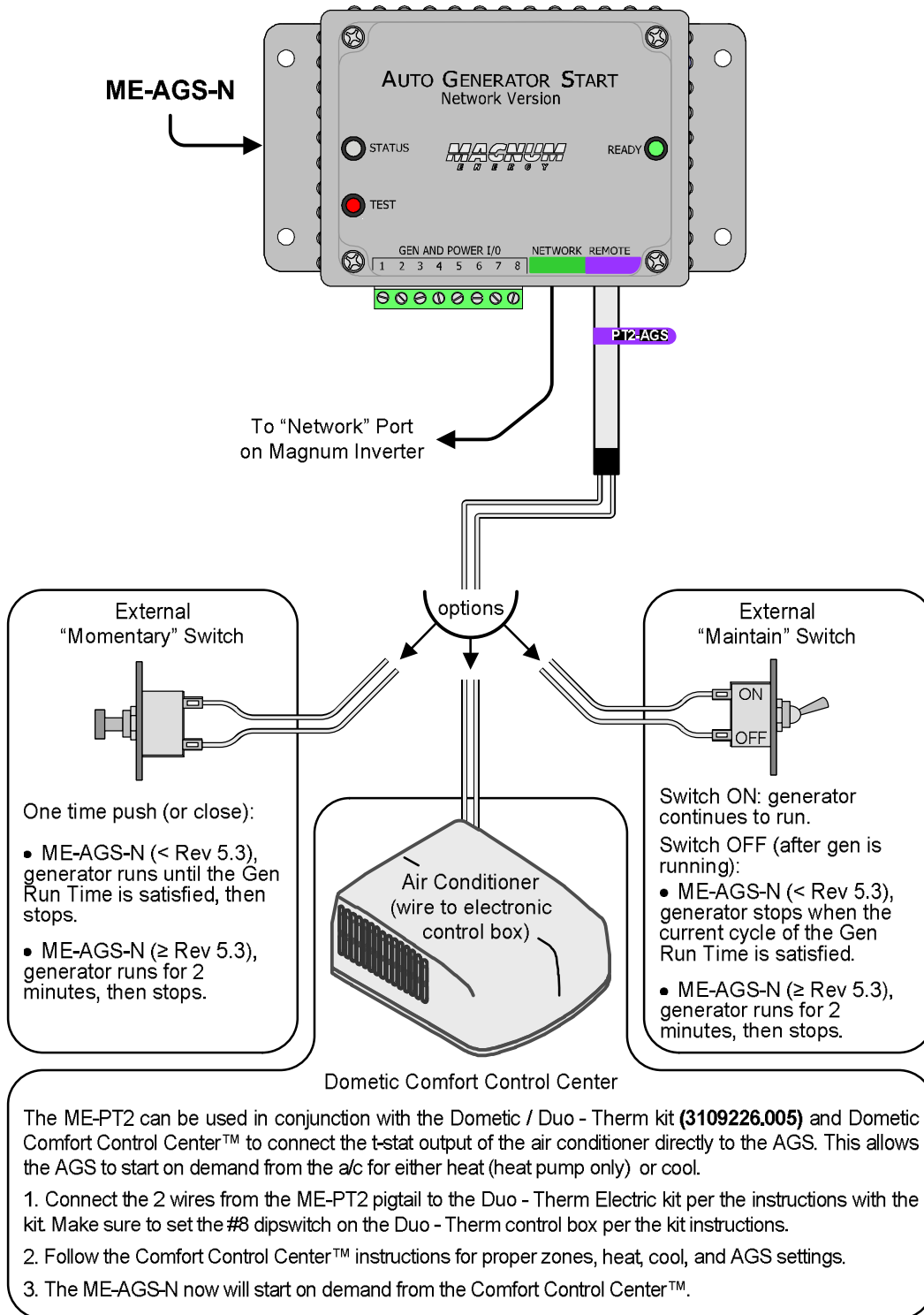


Figure 1, ME-PT2 to ME-AGS-N Installation

Installation/Setup - ME-AGS-S (Standalone Version)

The following pertains to the ME-PT2 when connected to the ME-AGS-S (Standalone Version) controller.



Info: Other than the specific installation and setup instructions listed below, refer to the ME-AGS-S Operators Manual (PN: 64-0004) for installation, setup, and operation of the ME-AGS-S.

Installation

- Prepare the ME-AGS-S remote switch:
 1. Find the temperature sensor behind the remote switch front plate; it is a small reddish looking device close to the metal front plate (see Figure 2).
 2. Use a pair of small wire cutters and clip open one side the temperature sensor (see Figure 3). Ensure the cut ends are not able to touch.
- To install the ME-PT2, refer to Figure 4 and the following steps:
 1. Plug a 6-conductor phone splitter into the REMOTE (purple) port on the ME-AGS-S controller.
 2. Plug the ME-PT2 pigtail into one port of the phone splitter, and then plug the remote switch (using its communications cable) into the other port.
 3. Connect the two white wires on the ME-PT2 pigtail adapter to a two-contact external switching device (i.e., switch).

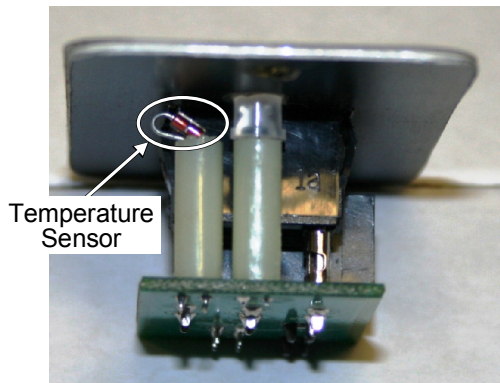


Figure 2, Locating Sensor

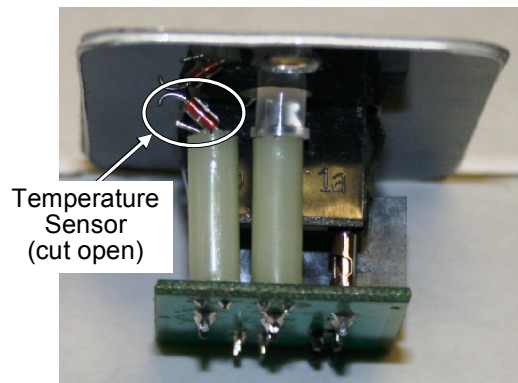


Figure 3, Sensor Cut Open

Setup

1. Turn the 'START TEMP F' adjustment clock-wise to any temperature position (it must NOT be turned full counter clock-wise to the OFF position).
2. Press the ME-AGS-S remote switch to the up (ENABLE) position.

ME-PT2 to ME-AGS-S Operation

The type of external switch (i.e., "momentary" or "maintain") connected to the ME-PT2 adapter determines how long the generator can run.

A. Pressing a "momentary" type switch depends on the AGS revision:
< Rev 5.3 = generator runs for the RUN TIME HOURS period, then stops;
≥ Rev 5.3 = generator runs for 2 minutes, then stops.

B. Using a "maintain" type switch: If the switch is off, the generator will stay off. If the switch is on, the generator will run until the switch is turned off. How the AGS operates after the switch is turned off, depends on the AGS revision:
< Rev 5.3 = generator will stop after the current RUN TIME HOURS cycle has been satisfied; ≥ Rev 5.3 = generator runs for 2 minutes, then stops.

ME-PT2 Instruction Sheet

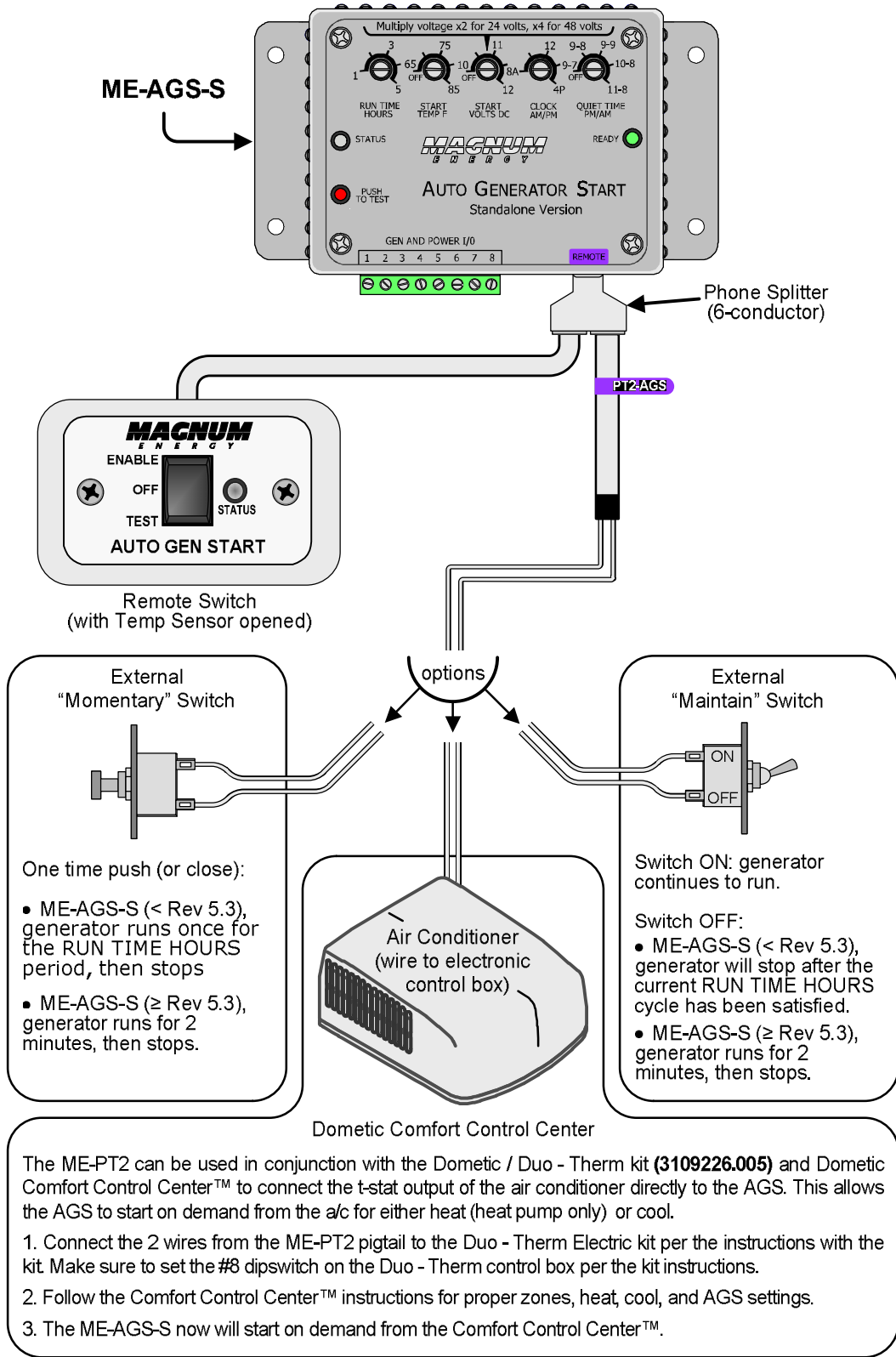


Figure 4, ME-PT2 to ME-AGS-S Installation